

MOTORWAY SLOT DRAIN FORMERS



Thermoplastic outfall chamber during installation on the M3, UK



Thermoplastic access point fitting during on-site installation, UK



Interconnecting slot drain former with timber shuttering



Linear PP-H drain former with timber shuttering to allow for concrete pour

Pipex px[®] design and manufacture bespoke thermoplastic (HDPE & PP-H) chambers and linear drain formers to assist with motorway slip forming where obstructions (such as existing manholes, pipework etc.) restrict this use.

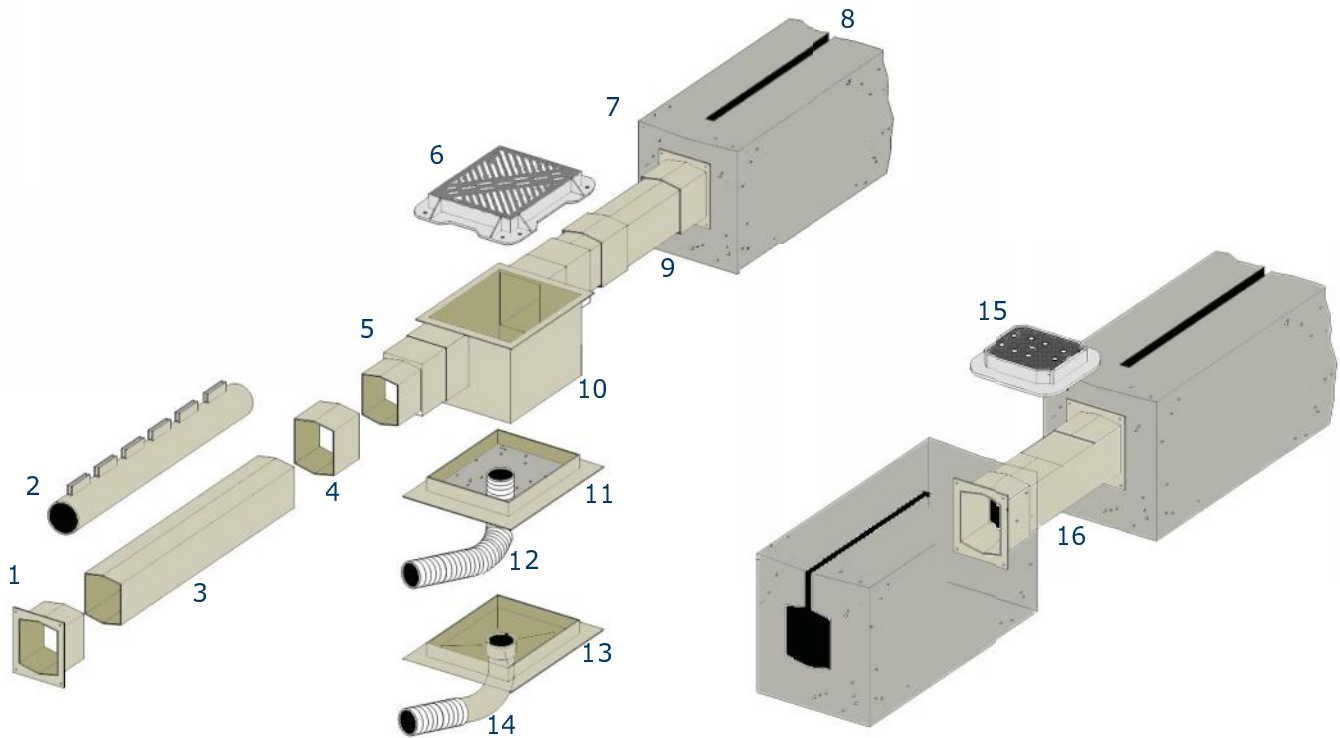
Our lightweight and robust modular chambers and formers ensure that the integrity of the concrete slot drain is maintained during the slip forming process.

For more information, please contact our Thermoplastics Director
Peter Morris | 01752 581200 | petermorris@pipexp.com

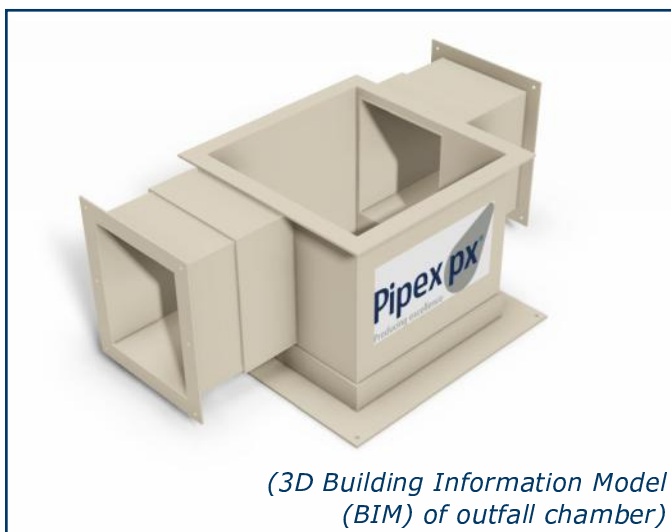


(Concrete Slip Form Drainage on the M3)

Pipex px® Slipform Drainage Assembly Example



- | | |
|---|--|
| <ol style="list-style-type: none"> 1. Slip drain connector 2. Circular 3. Hexidrain 4. Slip Collar 5. Transitions fittings from slot drain formers outfall chamber 6. Ductile Iron catchpit of gully grating and frame 7. Interface connector to concrete slip formed slot drain 8. Slip formed concrete slot drainage system | <ol style="list-style-type: none"> 9. Interconnecting slot drain former 10. Outfall chamber 11. Hollow outfall base to place over existing drain 12. Existing twin wall HDPE drain 13. Outfall base with rotating bend, size to suit drainage system 14. Hollow outfall base to place over existing drain 15. Ductile iron access grating 16. Access point fitting |
|---|--|



Advantages of Pipex px® Slot Drain Formers

- Lightweight
- Highly corrosion resistant
- Virtually maintenance free reducing lifecycle costs
- Delivered to site in prefabricated units minimising installation programme
- Bespoke solutions available
- Dimension details available upon request

